

A4

A

B

C

D

1

1

2

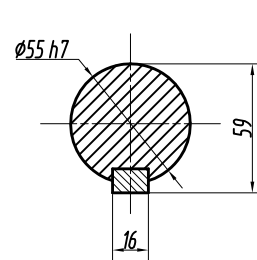
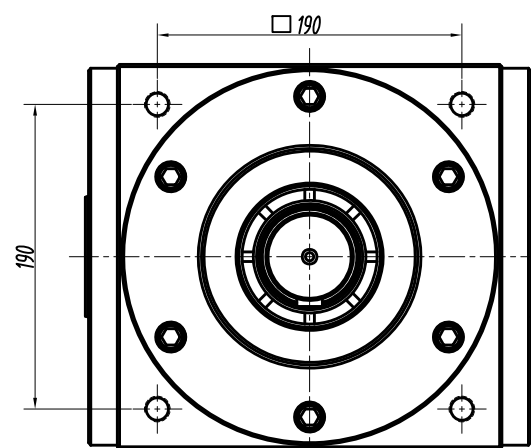
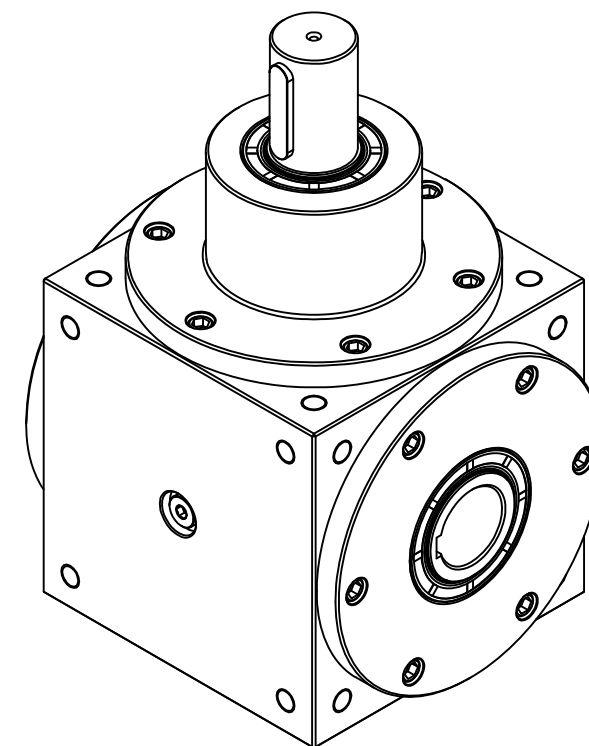
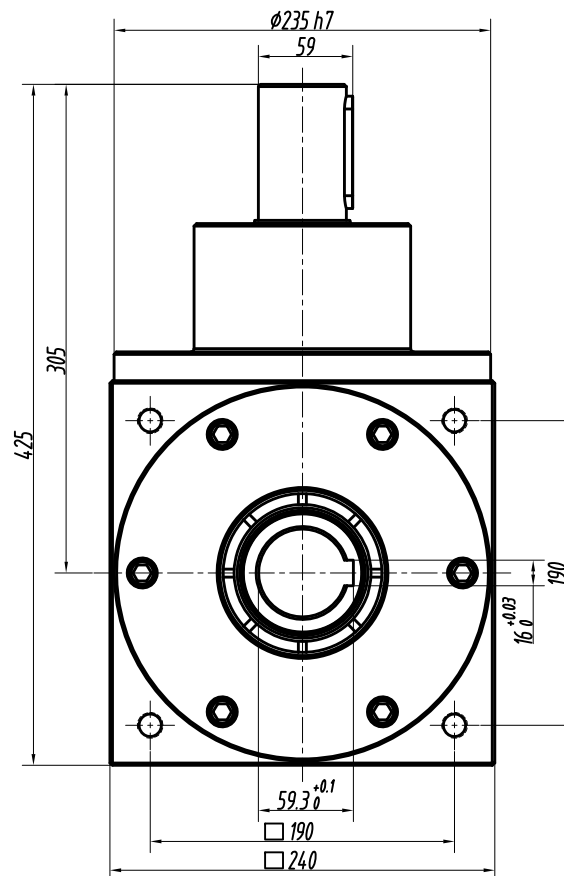
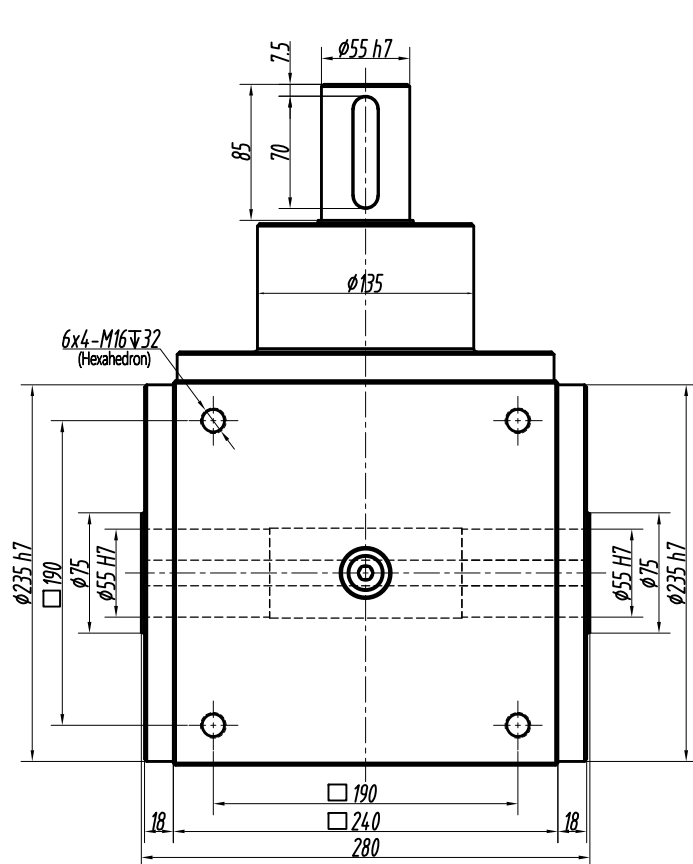
2

3

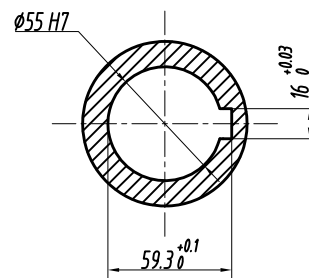
3

4


4



input



output

technical parameter				
Rated input speed	1000rpm	Max.input speed	1500rpm	
Max.radial force	9600N	Max.axial force	4800N	
Maximum efficiency	≥96%	Operating temp	-25° ~ +90°	
Installation method	arbitrarily	Lubrication mode	Permanent lubrication	
Weight	75KG	Average life span	20000h	
Standard backlash	≤15arcmin	Noise	≤65 dB	
Speed ratio	1:1	2:1	3:1	4:1
Rated output torque (Nm)	530	600	680	650
Maximum output torque (Nm)	795	900	1020	975
Motor dimensions				
name :	240 cast iron Gearbox			
number :	SJV240(hollow-output)			
unit:	mm	www.em-intech.ru		
Update Date:	01/2026			

A

B

C

D