

A4

A

B

C

D

1

1

2

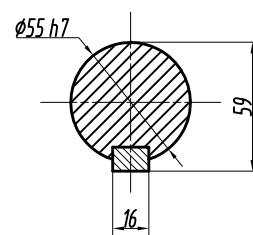
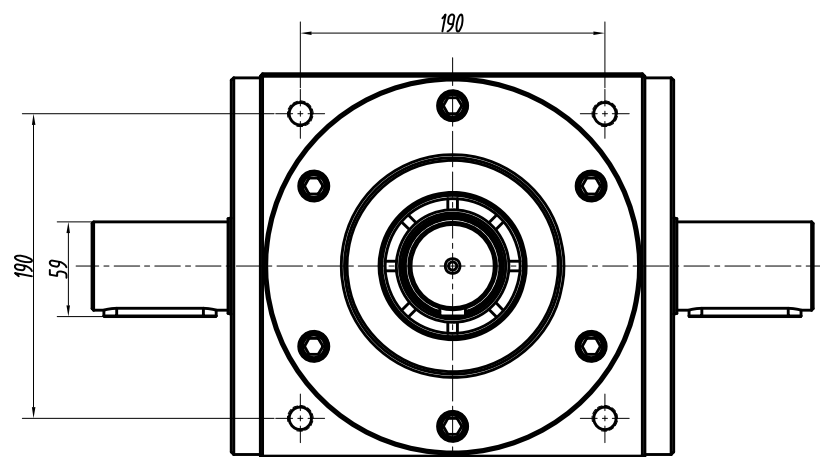
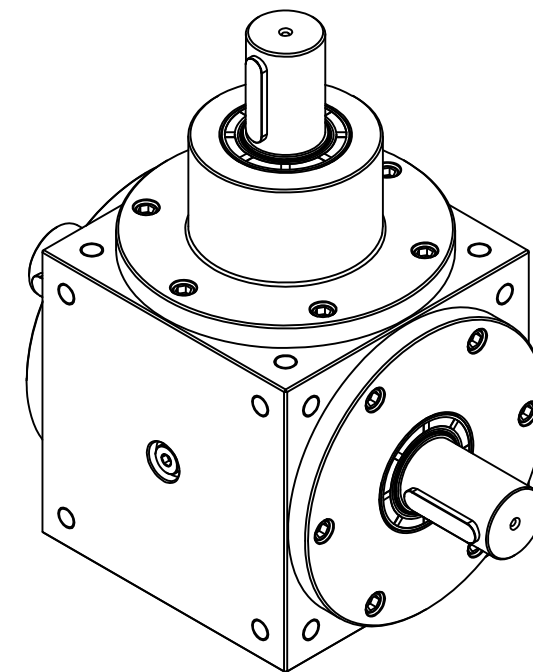
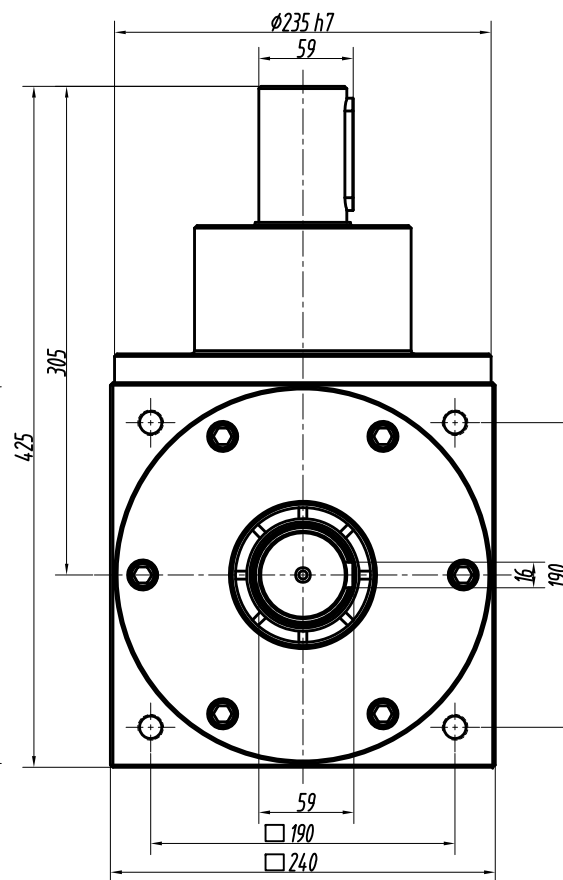
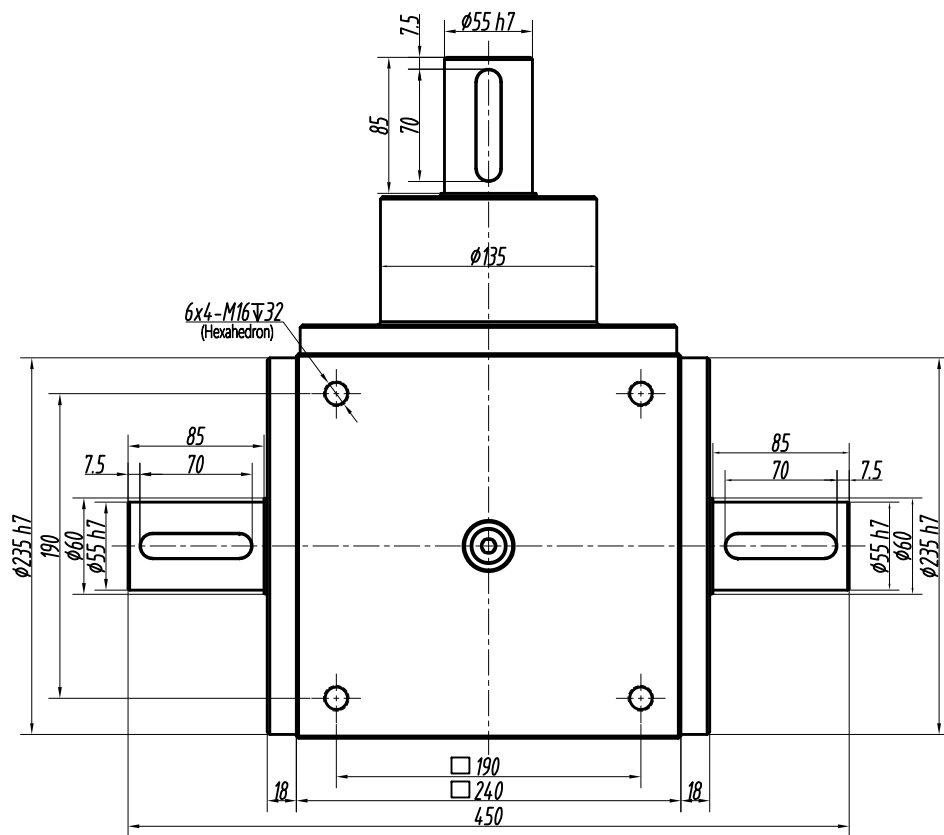
2

3

3

4

4



input / output
Same three-axis

technical parameter

Rated input speed	1000rpm	Max.input speed	1500rpm		
Max.radial force	9600N	Max.axial force	4800N		
Maximum efficiency	≥96%	Operating temp	-25° ~ +90°		
Installation method	arbitrarily	Lubrication mode	Permanent lubrication		
Weight	75KG	Average life span	20000h		
Standard backlash	≤15arcmin	Noise	≤65 dB		
Speed ratio	1:1	2:1	3:1	4:1	5:1
Rated output torque (Nm)	530	600	680	660	650
Maximum output torque (Nm)	795	900	1020	990	975

Motor dimensions

name : 240 cast iron Gearbox

number : SJV240(three-shafts)

unit: mm

Update Date: 01/2026

000 «Е.М.Интех»

www.em-intech.ru

