

A4

A

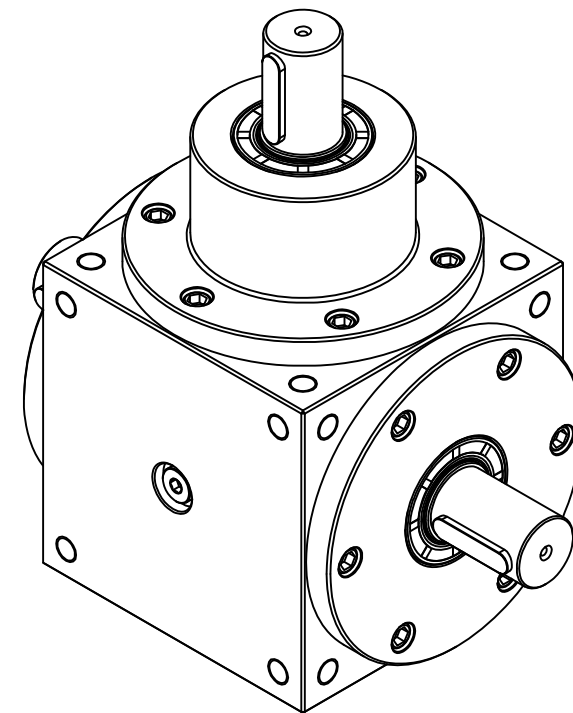
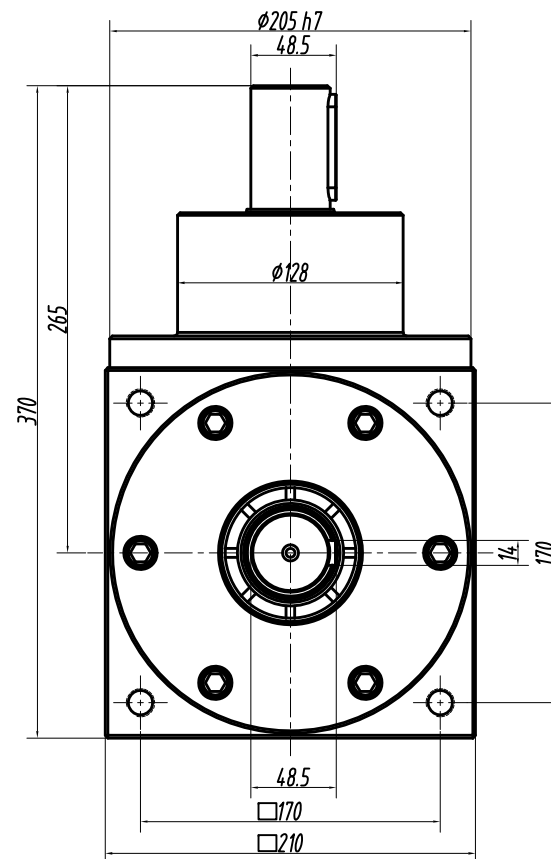
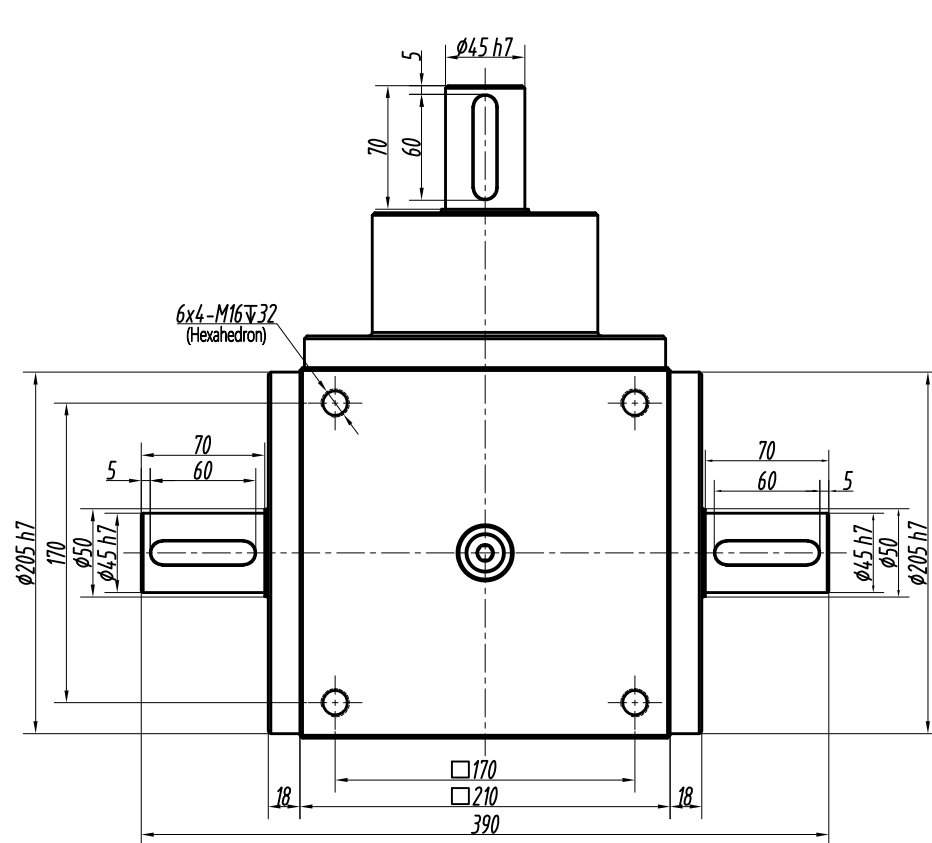
B

C

D

1

1

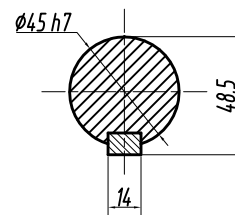
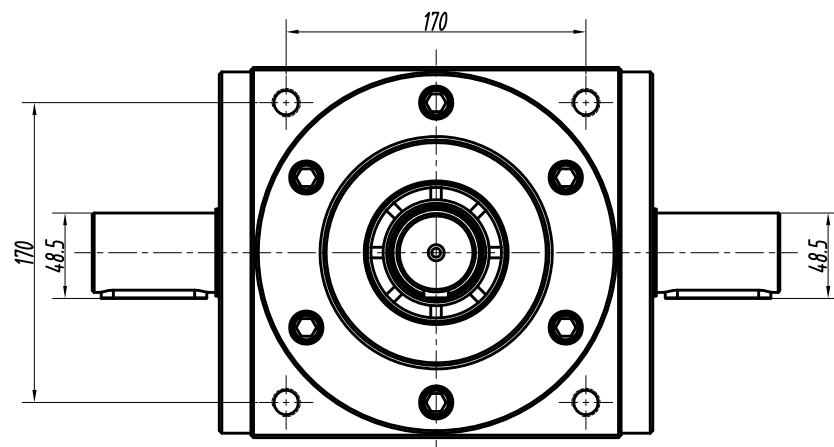


2

2

3

3



input / output

4

4

technical parameter

Rated input speed	1000rpm	Max.input speed	1500rpm		
Max.radial force	7800N	Max.axial force	3900N		
Maximum efficiency	≥96%	Operating temp	-25° ~ +90°		
Installation method	arbitrarily	Lubrication mode	Permanent lubrication		
Weight	60KG	Average life span	20000h		
Standard backlash	≤15arcmin	Noise	≤65 dB		
Speed ratio	1:1	2:1	3:1	4:1	5:1
Rated output torque (Nm)	430	418	410	400	380
Maximum output torque (Nm)	645	627	615	600	570

Motor dimensions

name : 210 cast iron Gearbox

number : SJV210(three-shafts)

unit: mm

Update Date: 01/2026

000 «Е.М.Интех»

www.em-intech.ru



A

B

C

D