

A4

A

B

C

D

1

1

2

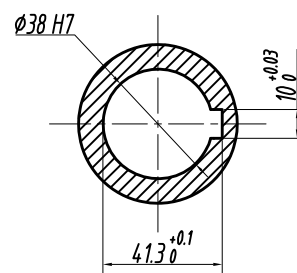
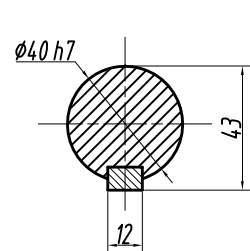
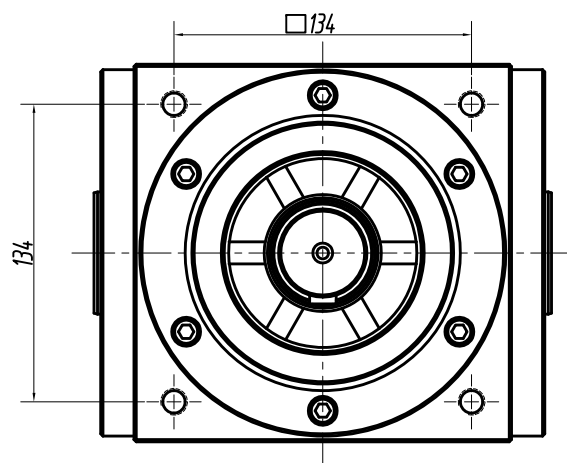
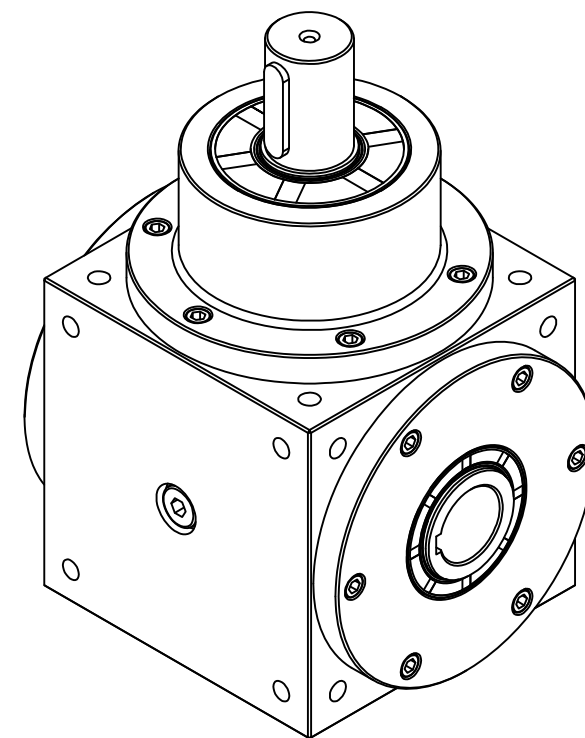
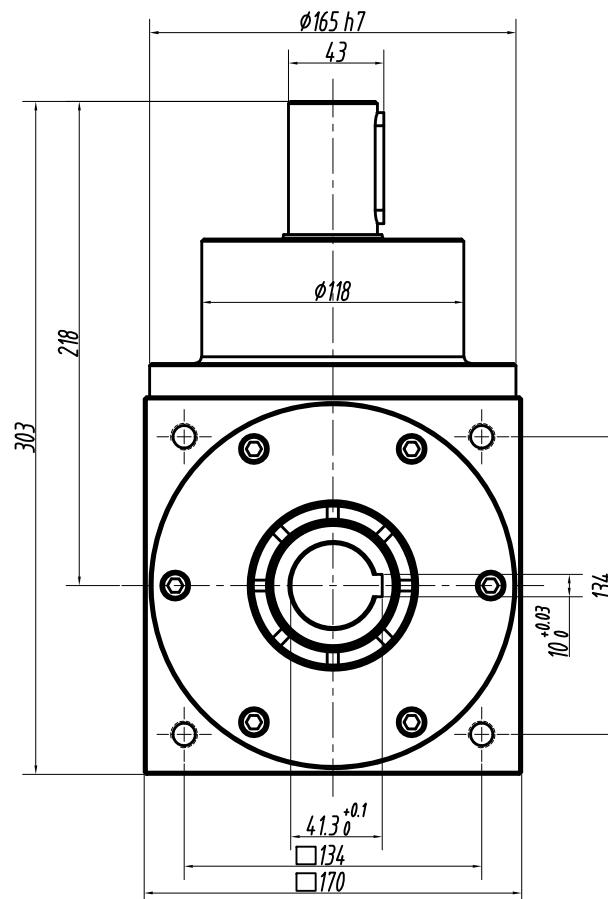
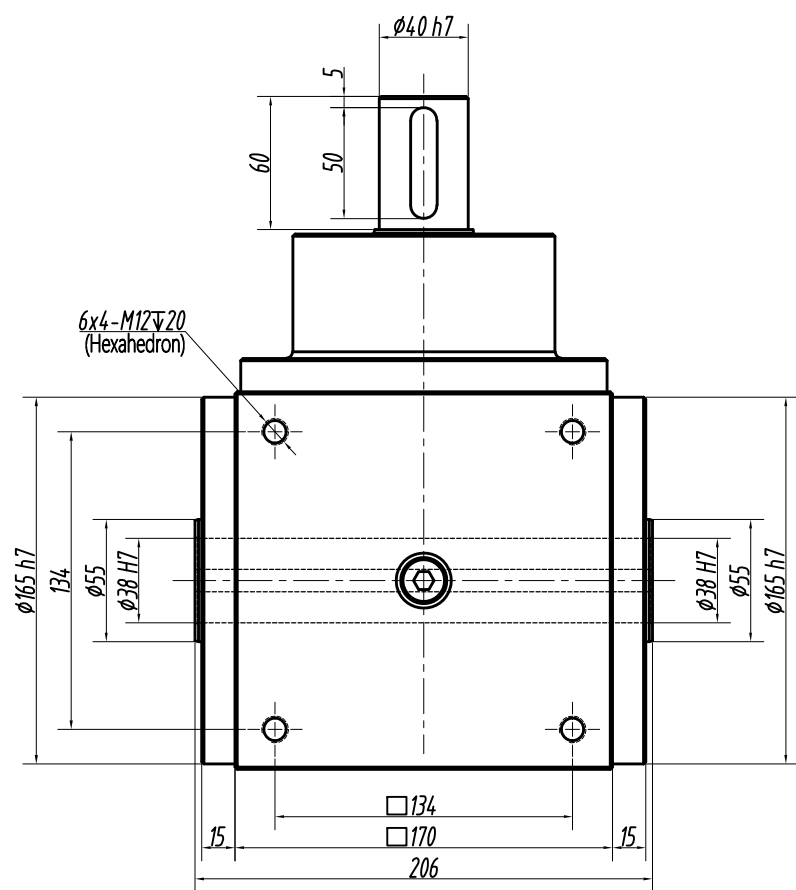
2

3

3

4

4



input

output

## technical parameter

Rated input speed	1000rpm	Max.input speed	1500rpm			
Max.radial force	3800N	Max.axial force	1900N			
Maximum efficiency	≥96%	Operating temp	-25° ~ +90°			
Installation method	arbitrarily	Lubrication mode	Permanent lubrication			
Weight	32KG	Average life span	20000h			
Standard backlash	≤15arcmin	Noise	≤65 dB			
Speed ratio		1:1	2:1	3:1	4:1	5:1
Rated output torque (Nm)		250	240	230	210	200
Maximum output torque (Nm)		375	360	345	315	300

Motor dimensions

name : 170 cast iron Gearbox

number : SJV170(hollow-output)

unit: mm

Update Date: 01/2026

000 «Е.М.Интех»

www.em-intech.ru



ЕМИнтех