

A4

A

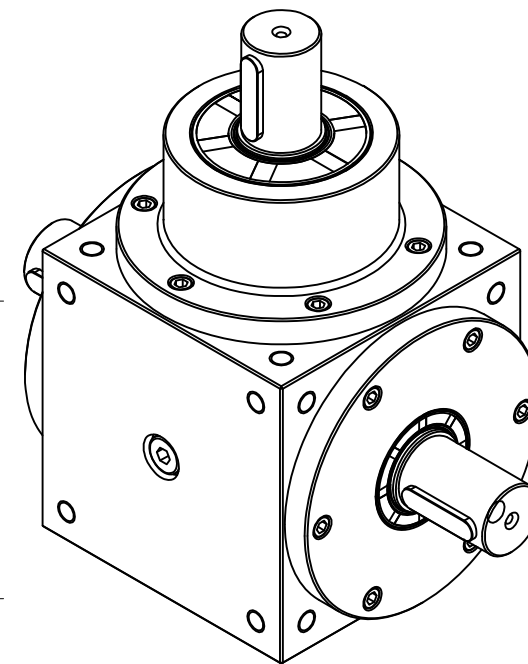
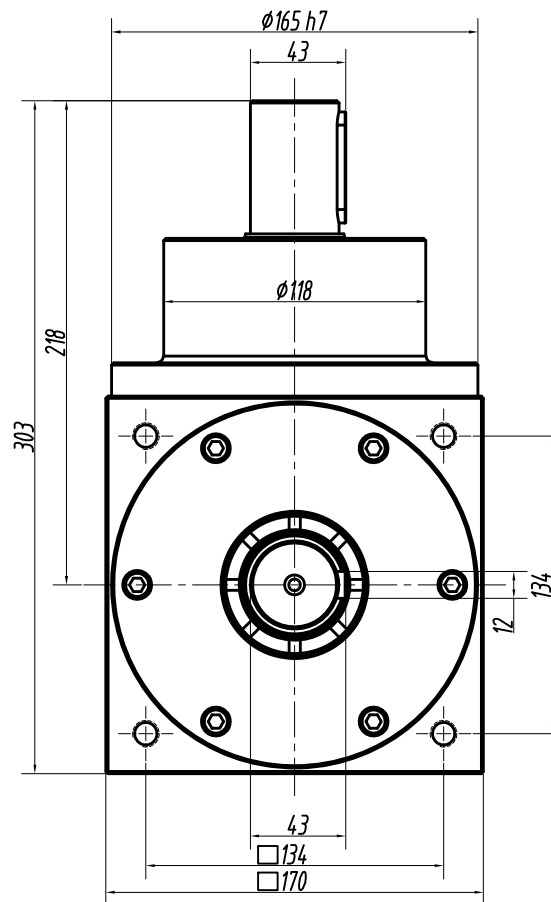
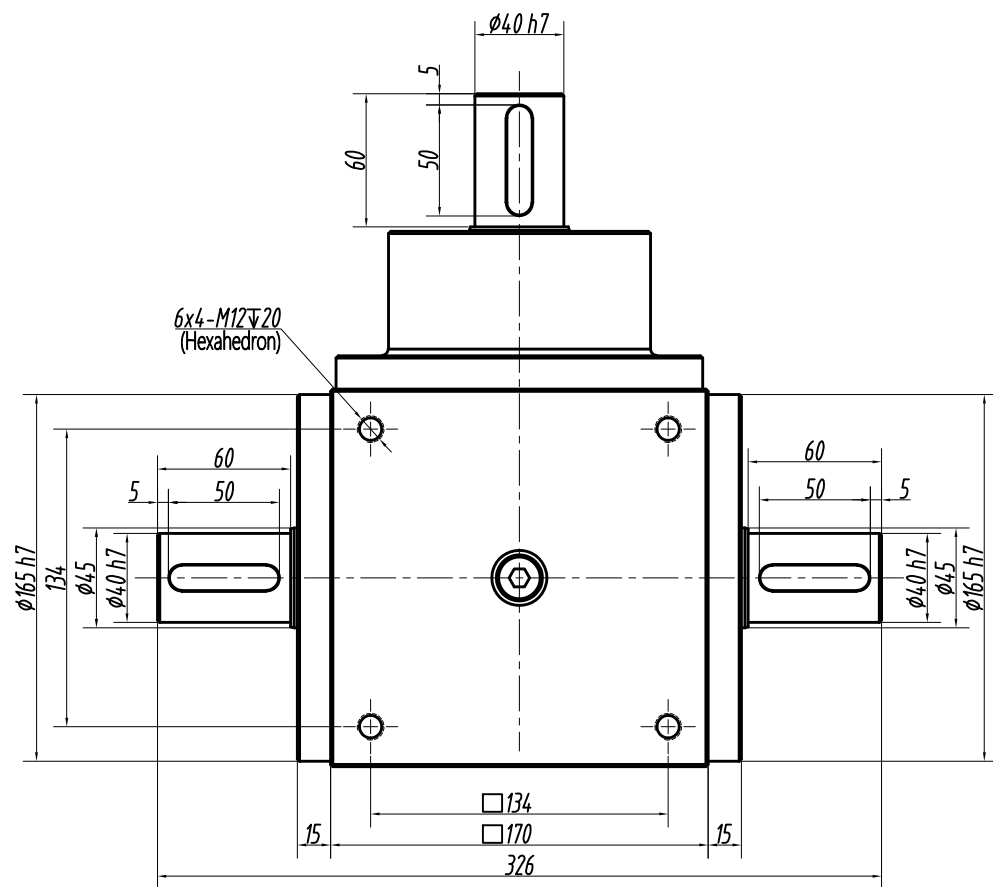
B

C

D

1

1

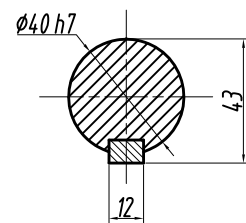
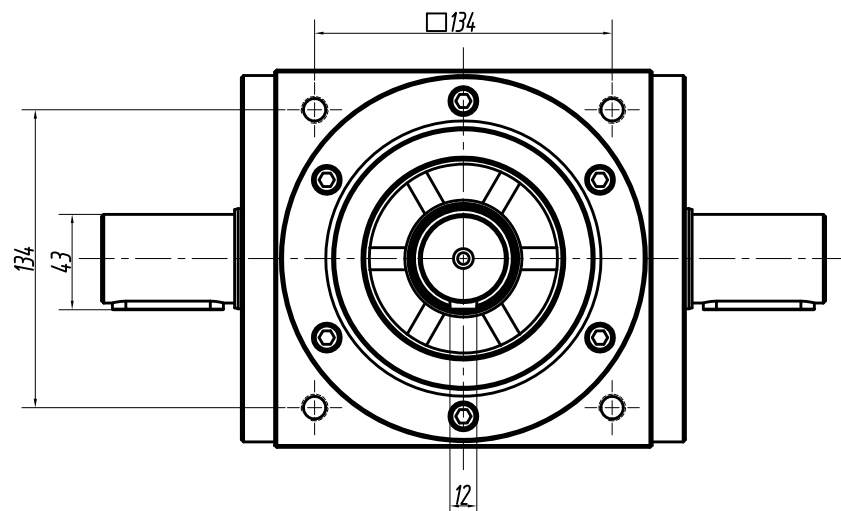


2

2

3

3



input / output  
Same three-axis

4

4

### technical parameter

Rated input speed	1000rpm	Max.input speed	1500rpm		
Max.radial force	3800N	Max.axial force	1900N		
Maximum efficiency	$\geq 96\%$	Operating temp	$-25^{\circ} \sim +90^{\circ}$		
Installation method	arbitrarily	Lubrication mode	Permanent lubrication		
Weight	32KG	Average life span	20000h		
Standard backlash	$\leq 15\text{arcmin}$	Noise	$\leq 65\text{ dB}$		
Speed ratio	1:1	2:1	3:1	4:1	5:1
Rated output torque (Nm)	250	240	230	210	200
Maximum output torque (Nm)	375	360	345	315	300

Motor dimensions

name : 170 cast iron Gearbox

number : SJV170(three-shafts)

unit: mm

Update Date: 01/2026

000 «Е.М.Интех»

www.em-intech.ru

