

A4

A

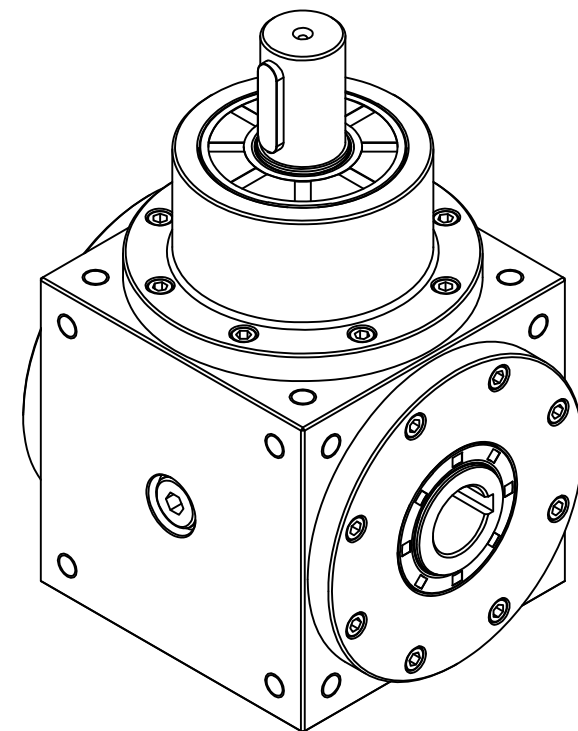
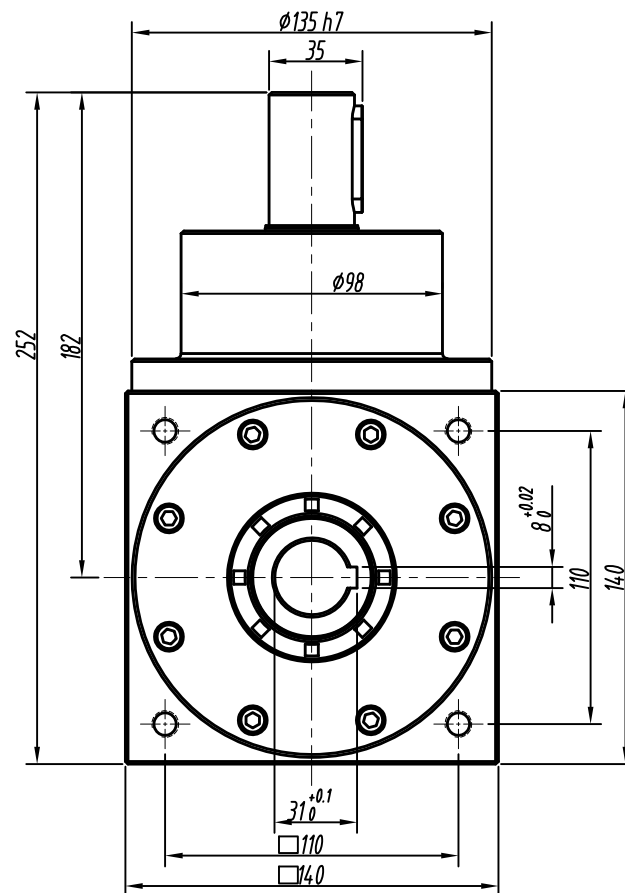
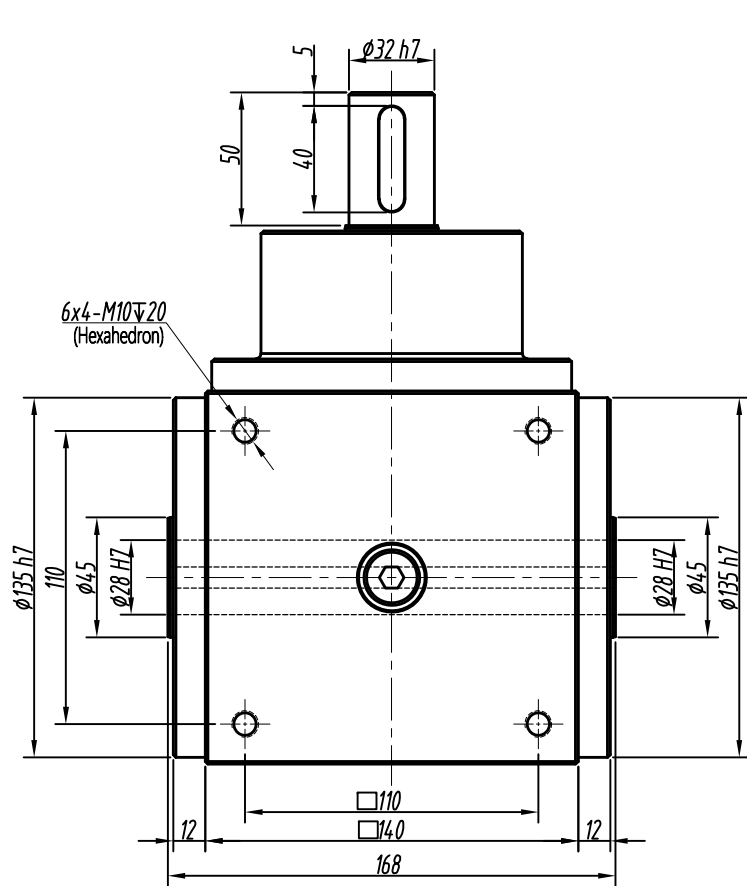
B

C

D

1

1

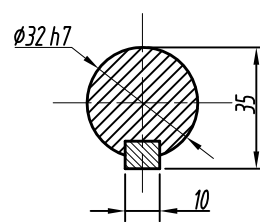
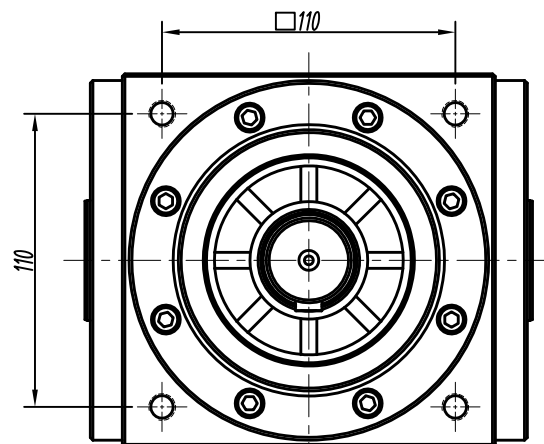


2

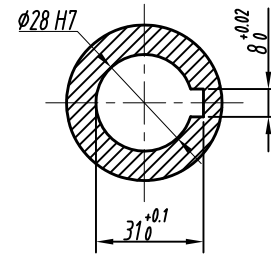
2

3

3



input



output

4

4

technical parameter

Rated input speed	1500rpm	Max.input speed	2000rpm			
Max.radial force	2700N	Max.axial force	1350N			
Maximum efficiency	≥96%	Operating temp	-25° ~ +90°			
Installation method	arbitrarily	Lubrication mode	Permanent lubrication			
Weight	20KG	Average life span	20000h			
Standard backlash	≤12arcmin	Noise	≤65 dB			
Speed ratio		1:1	2:1	3:1	4:1	5:1
Rated output torque (Nm)		150	140	137	130	125
Maximum output torque (Nm)		225	210	205	295	188

Motor dimensions

name : 140 cast iron Gearbox

number : SJV140(hollow-output)

unit: mm

Update Date: 01/2026

000 «Е.М.Интех»

www.em-intech.ru



ЕМИнтех