

A4

A

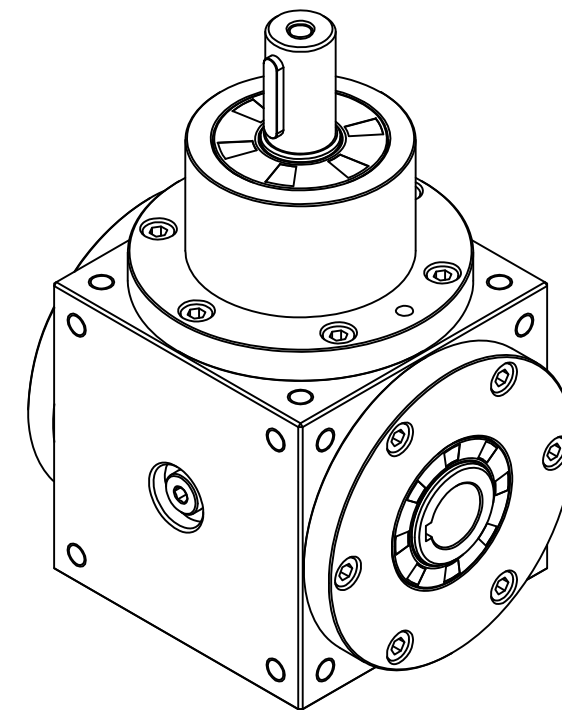
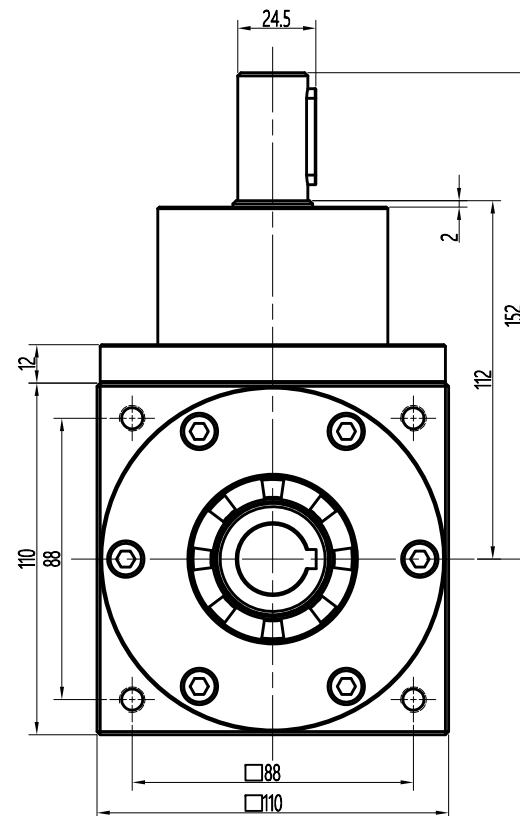
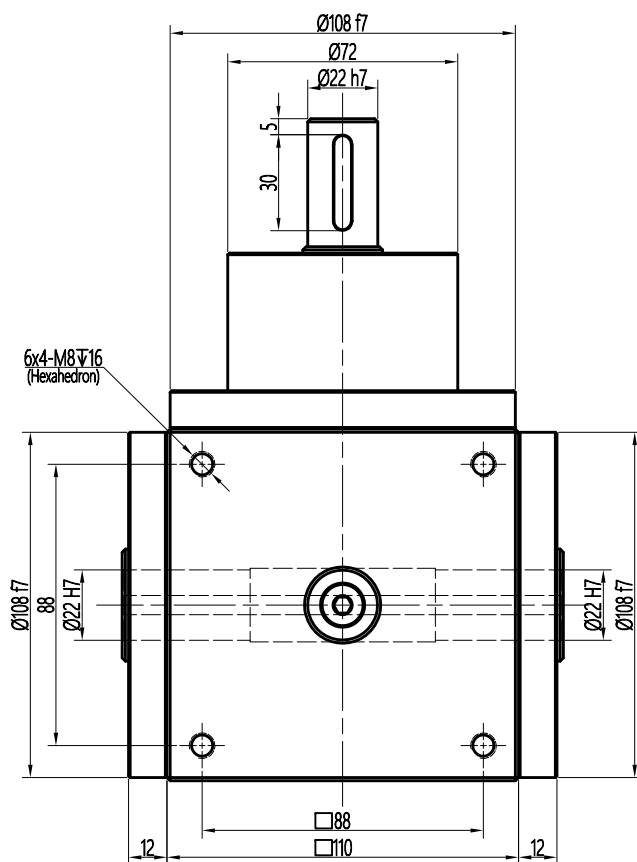
B

C

D

1

1

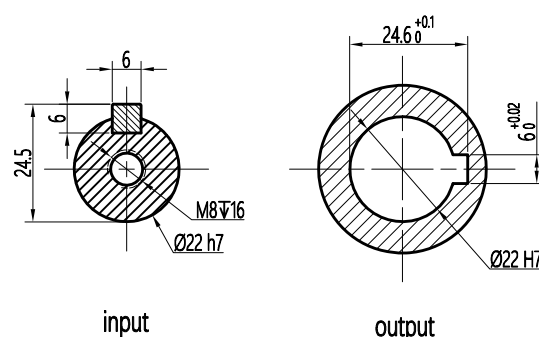
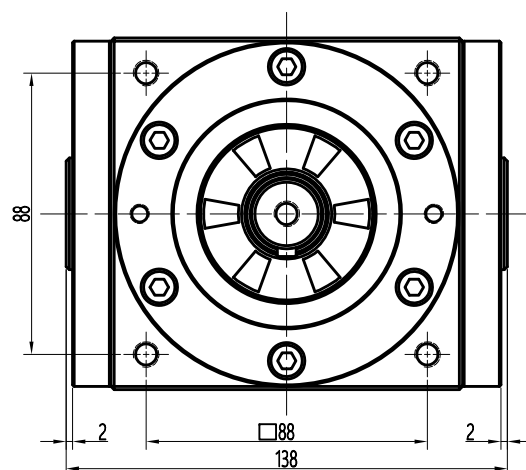


2

2

3

3



input

output

4

4

## technical parameter

Rated input speed	1500rpm	Max.input speed	2000rpm		
Max.radial force	2100N	Max.axial force	1050N		
Maximum efficiency	≥96%	Operating temp	-25° ~ +90°		
Installation method	arbitrarily	Lubrication mode	Permanent lubrication		
Weight	10KG	Average life span	20000h		
Standard backlash	≤8arcmin	Noise	≤65 dB		
Speed ratio	1:1	2:1	3:1	4:1	5:1
Rated output torque (Nm)	70	68	63	64	64
Maximum output torque (Nm)	105	102	95	96	96

Motor dimensions

name : 110 cast iron Gearbox

number : SJV110(hollow-output)

unit: mm

Update Date: 01/2026

ООО «Е.М.Интех»

www.em-intech.ru



ЕМИнтех