

A4

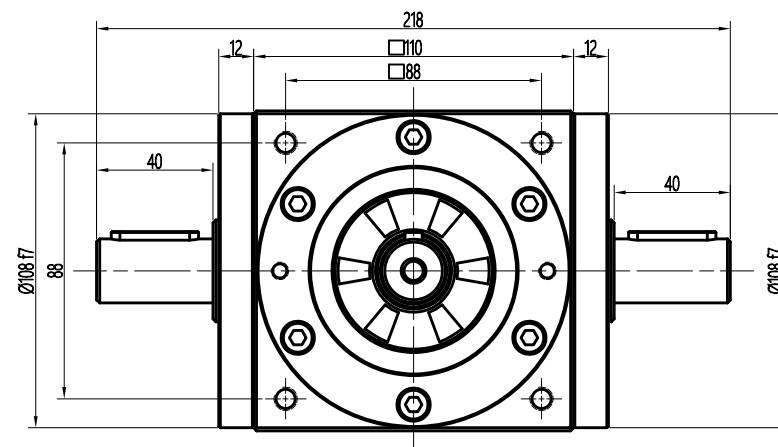
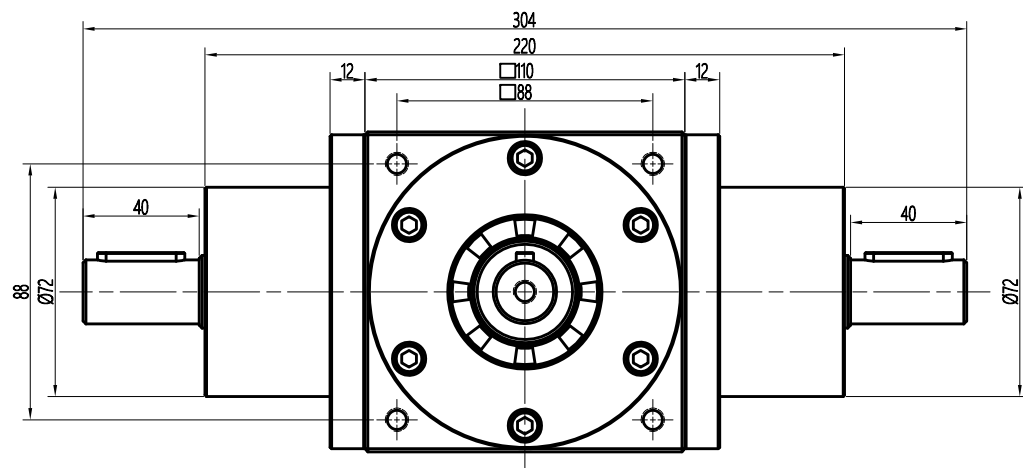
A

B

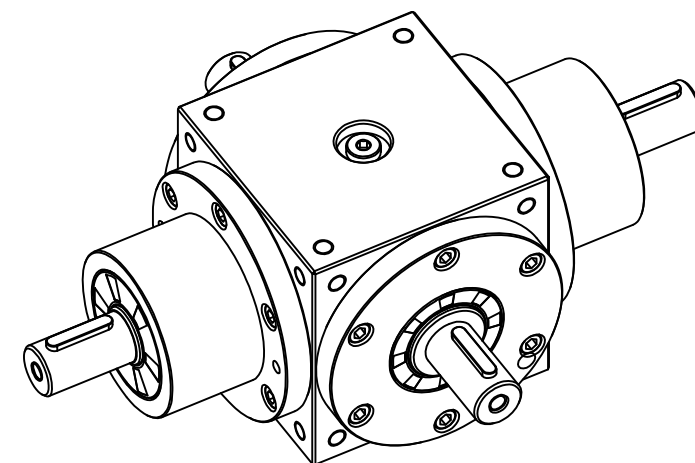
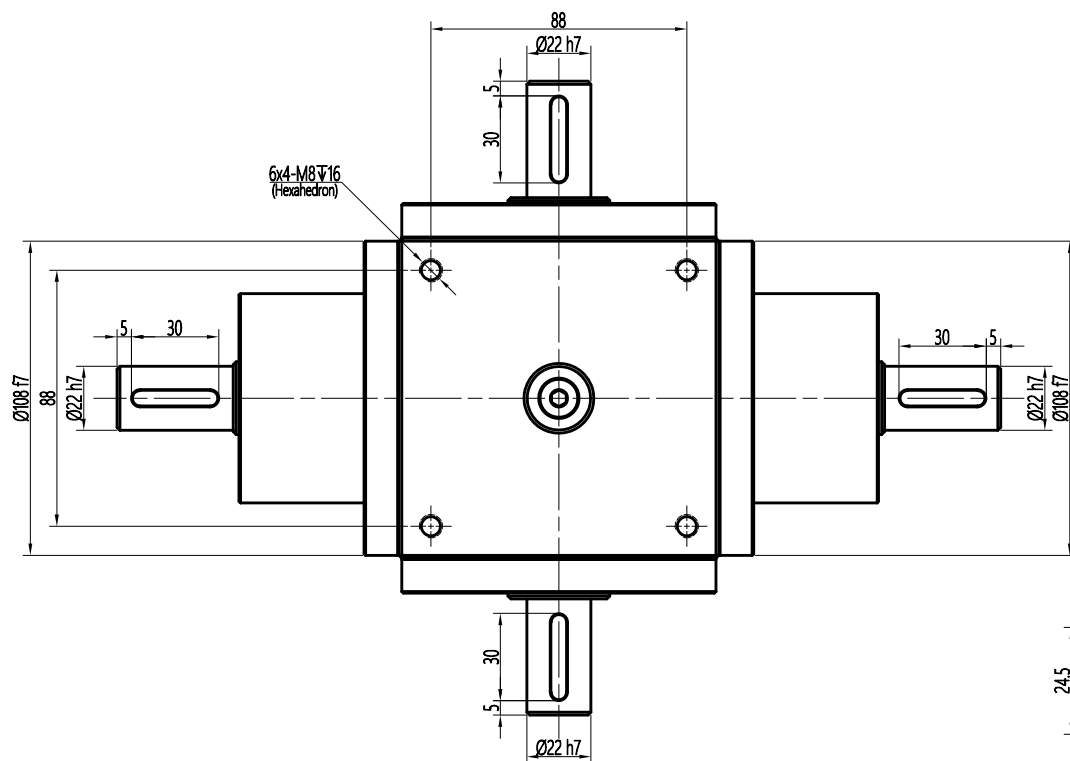
C

D


1



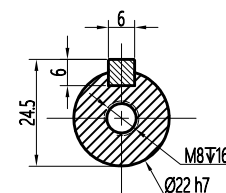
2



3

technical parameter							
Rated input speed	1500rpm	Max.input speed	2000rpm				
Max.radial force	2100N	Max.axial force	1050N				
Maximum efficiency	≥96%	Operating temp	-25° ~ +90°				
Installation method	arbitrarily	Lubrication mode	Permanent lubrication				
Weight	10.5KG	Average life span	20000h				
Standard backlash	≤8arcmin	Noise	≤65 dB				
Speed ratio		1:1	2:1	3:1	4:1	5:1	
Rated output torque (Nm)		70	68	63	64	64	
Maximum output torque (Nm)		105	102	95	96	96	
Motor dimensions							
name :	110 cast iron Gearbox					000 «E.M.Интех» www.em-intech.ru	
number :	SV110(four-axis)						
unit:	mm						
Update Date:	01/2026						

4



input / output

A

B

C

D

4