

A4

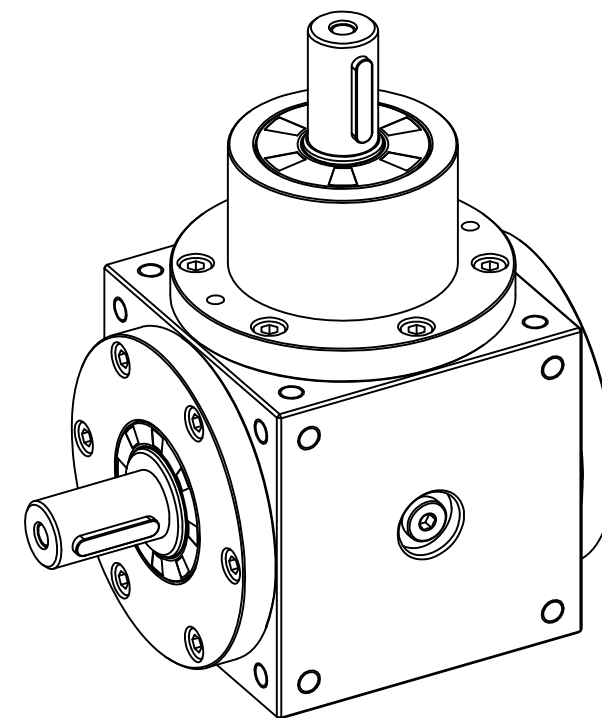
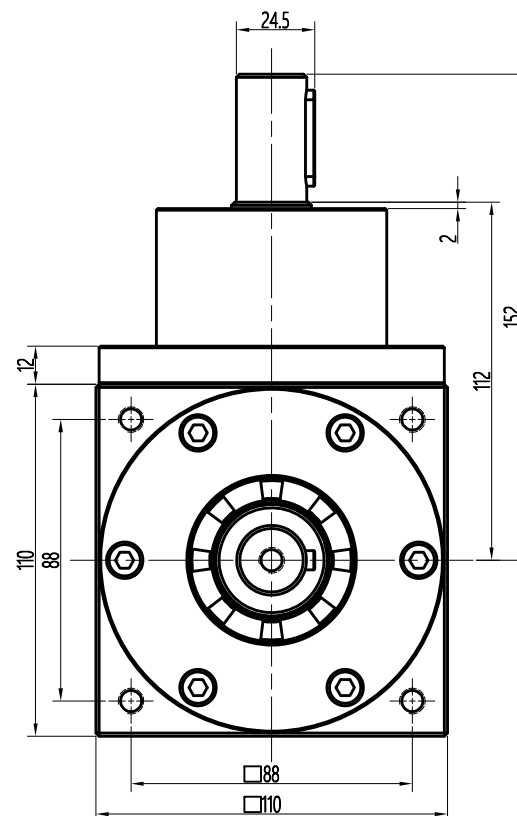
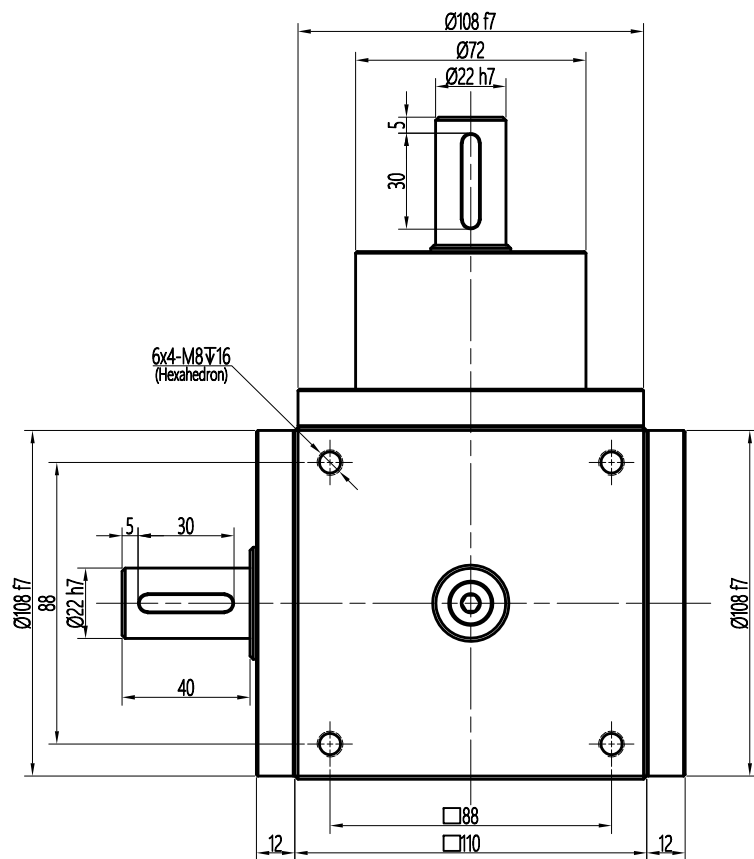
A

B

C

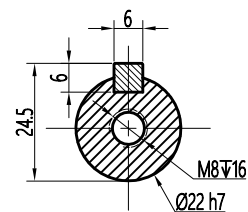
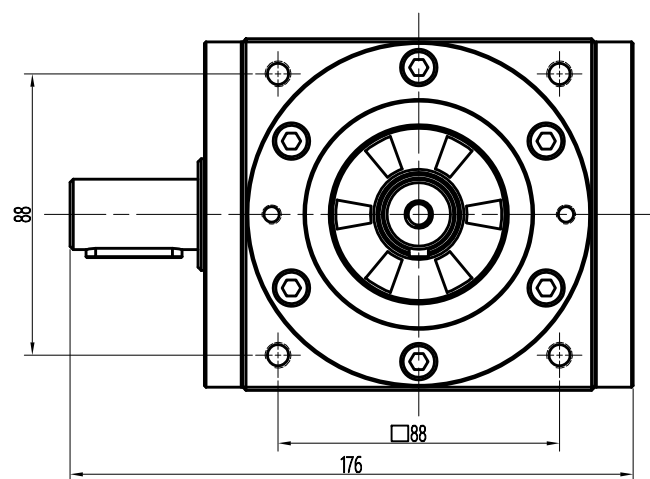
D

1



2

3



input / output

4

A

B

C

D

## technical parameter

Rated input speed	1500rpm	Max.input speed	2000rpm		
Max.radial force	2100N	Max.axial force	1050N		
Maximum efficiency	$\geq 96\%$	Operating temp	$-25^{\circ} \sim +90^{\circ}$		
Installation method	arbitrarily	Lubrication mode	Permanent lubrication		
Weight	10KG	Average life span	20000h		
Standard backlash	$\leq 8\text{arcmin}$	Noise	$\leq 65\text{ dB}$		
Speed ratio	1:1	2:1	3:1	4:1	5:1
Rated output torque (Nm)	70	68	63	64	64
Maximum output torque (Nm)	105	102	95	96	96

Motor dimensions

name : 110 cast iron Gearbox

number : SJV110(Two-shafts)

unit: mm

Update Date: 01/2026

000 «Е.М.Интех»

www.em-intech.ru



ЕМ Интех