

A4

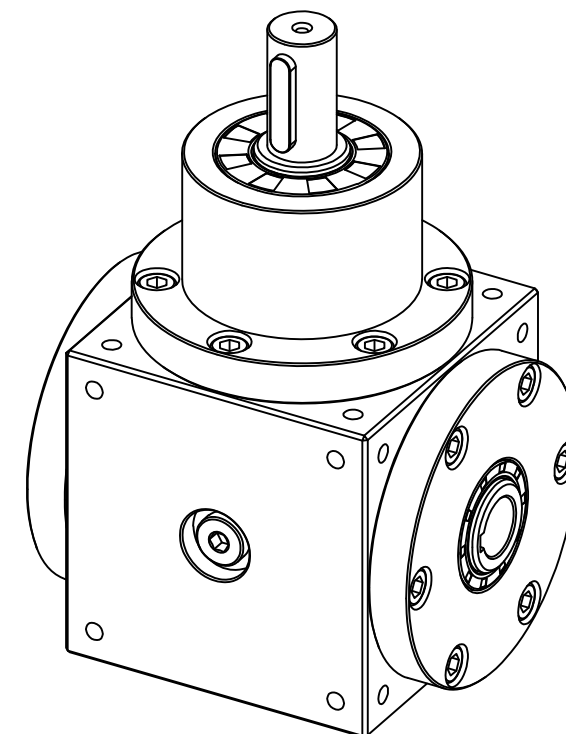
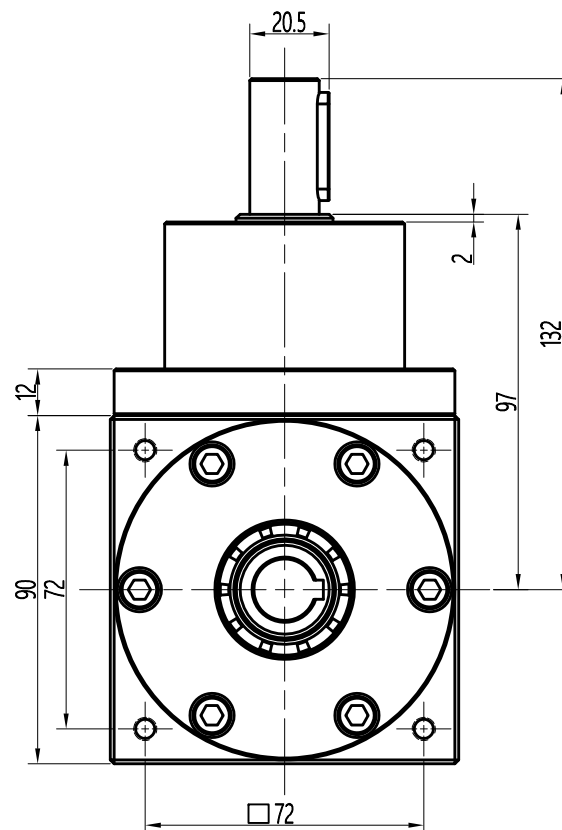
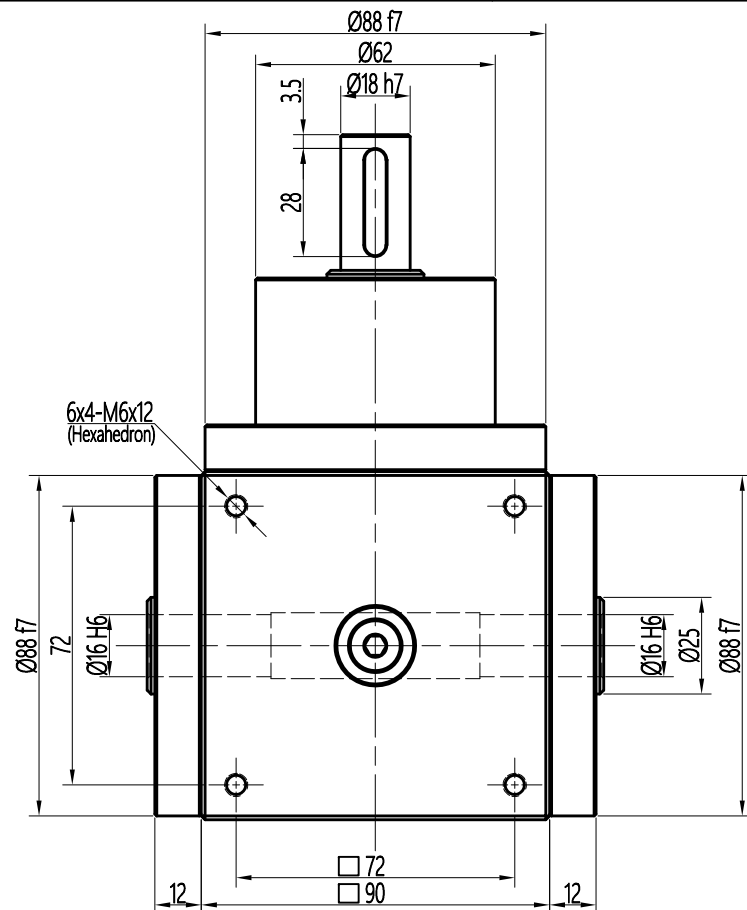
A

B

C

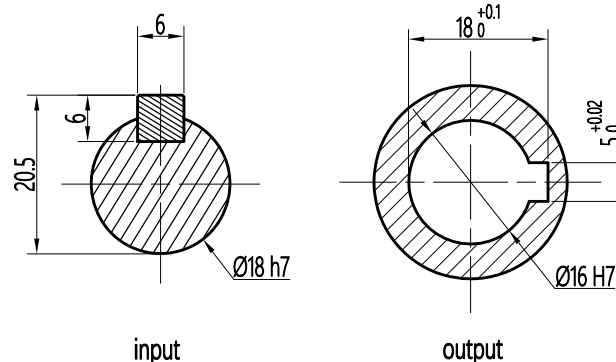
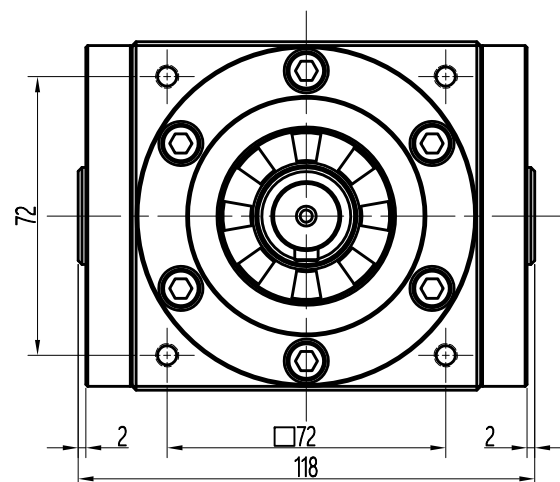
D

1



2

3



input

output

4

technical parameter					
Rated input speed	1500rpm	Max.input speed	2000rpm		
Max.radial force	1450N	Max.axial force	725N		
Maximum efficiency	≥96%	Operating temp	-25° ~ +90°		
Installation method	arbitrarily	Lubrication mode	Permanent lubrication		
Weight	6KG	Average life span	20000h		
Standard backlash	≤8arcmin	Noise	≤65 dB		
Speed ratio	1:1	2:1	3:1	4:1	5:1
Rated output torque (Nm)	32	29	27	27	27
Maximum output torque (Nm)	48	44	41	41	41
Motor dimensions					
name :	90 cast iron Gearbox				
number :	SJV090(hollow-output)				
unit:	mm	000 «Е.М.Интех»			
Update Date:	01/2026	www.em-intech.ru			

A

B

C

D



EMI Intech