

A4

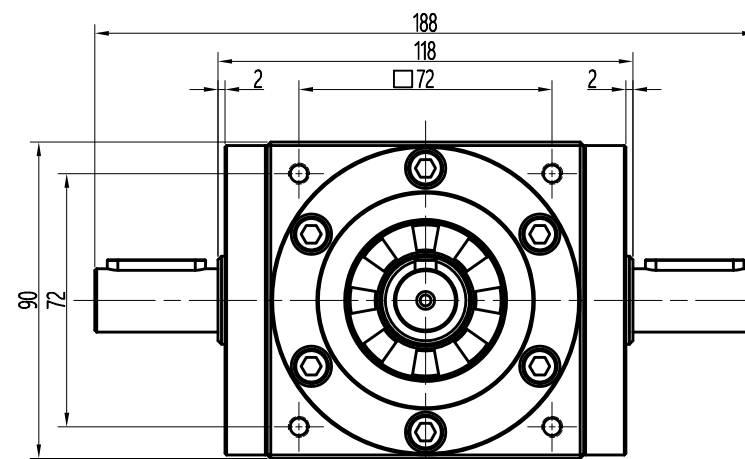
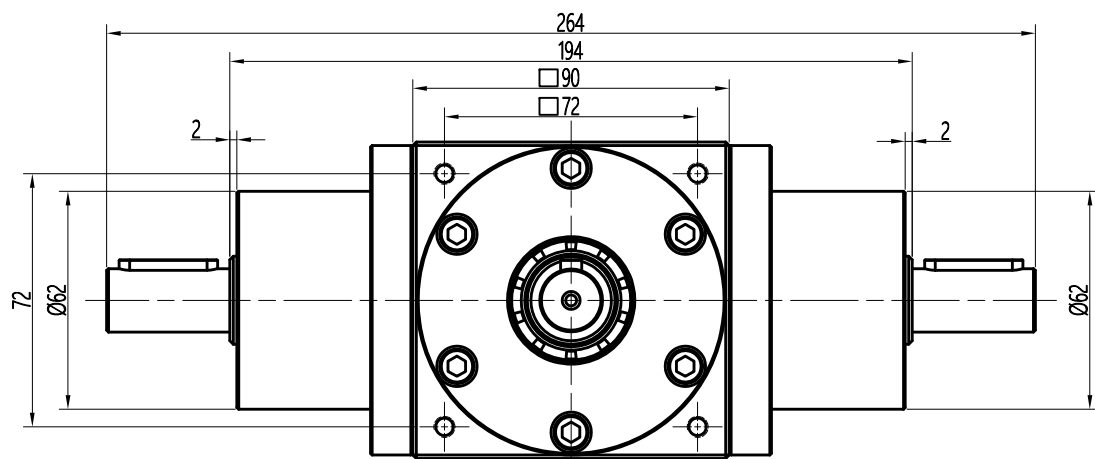
A

B

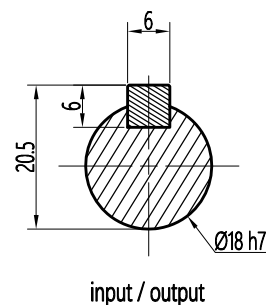
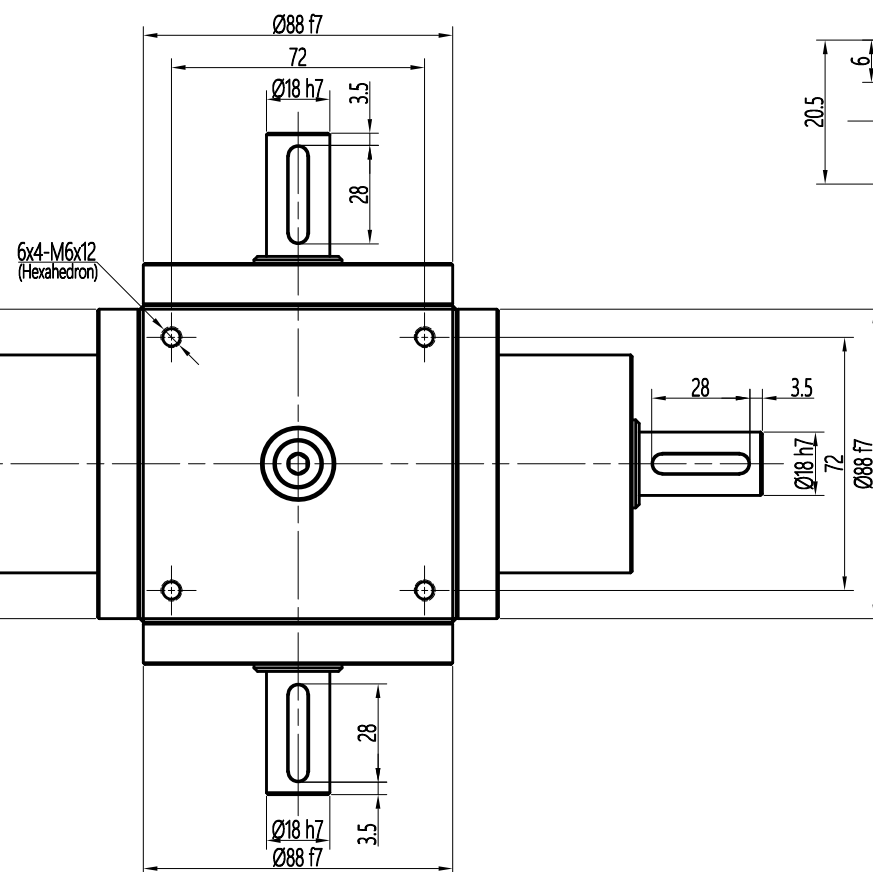
C

D

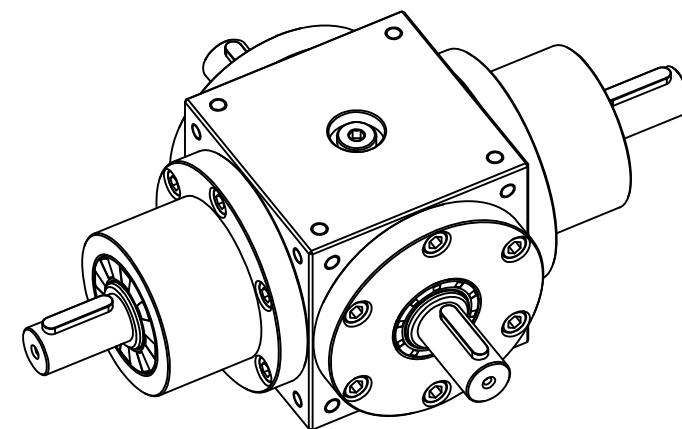
1



2



input / output



3

4

## technical parameter

Rated input speed	1500rpm	Max.input speed	2000rpm		
Max.radial force	1450N	Max.axial force	725N		
Maximum efficiency	≥96%	Operating temp	-25° ~ +90°		
Installation method	arbitrarily	Lubrication mode	Permanent lubrication		
Weight	6KG	Average life span	20000h		
Standard backlash	≤8arcmin	Noise	≤65 dB		
Speed ratio	1:1	2:1	3:1	4:1	5:1
Rated output torque (Nm)	32	29	27	27	27
Maximum output torque (Nm)	48	44	41	41	41

Motor dimensions

name : 90 cast iron Gearbox

number : SJV090(four-axis)

unit: mm

Update Date: 01/2026

000 «Е.М.Интех»

www.em-intech.ru

