

A4

A

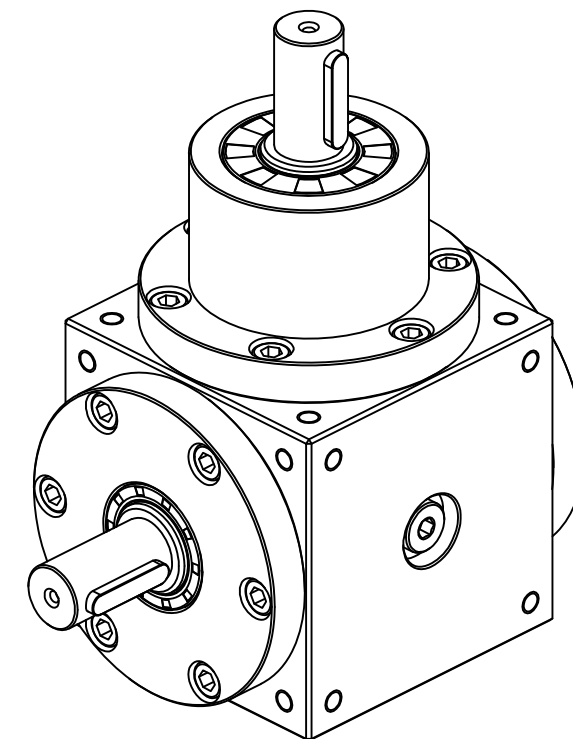
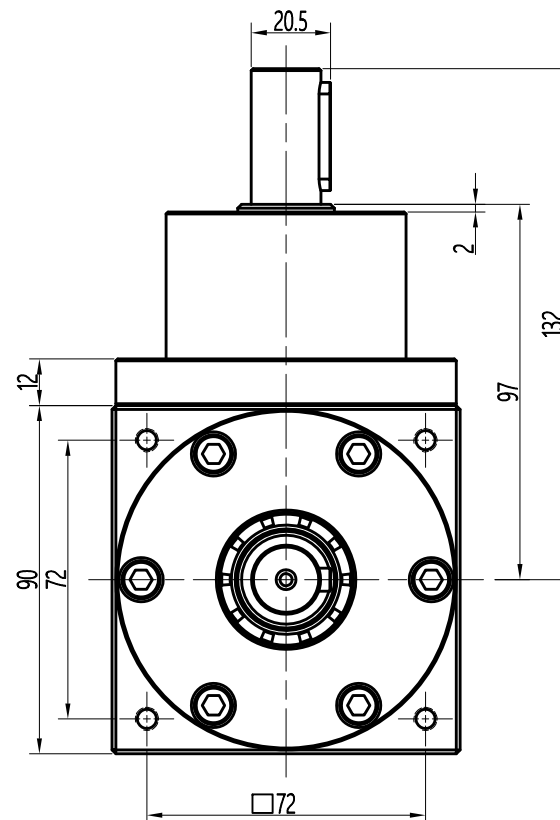
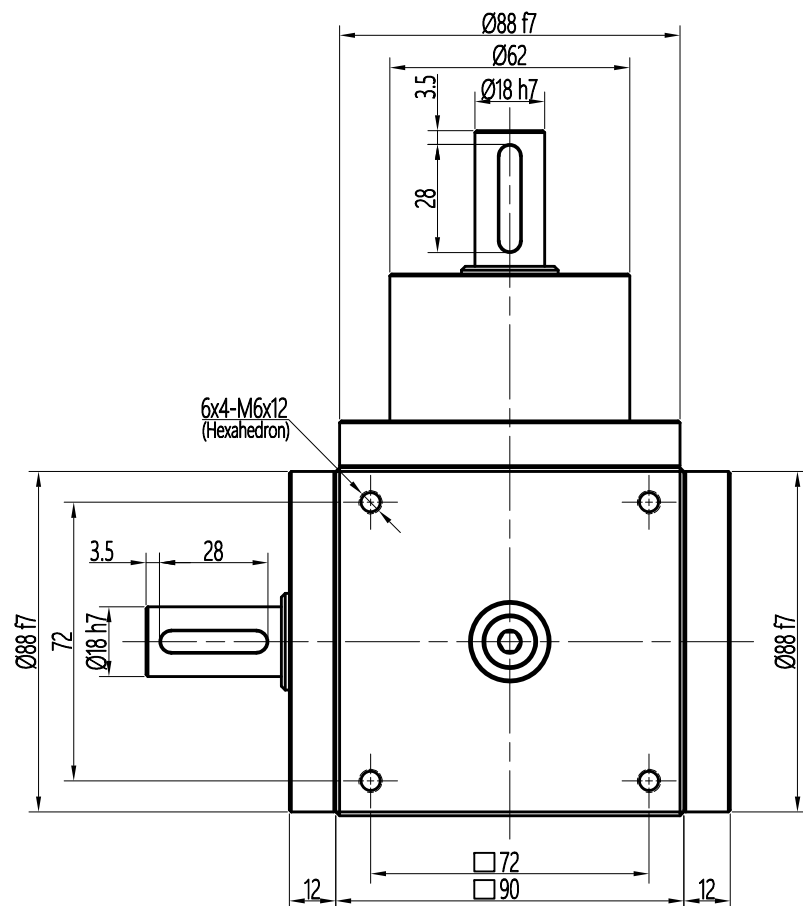
B

C

D

1

1

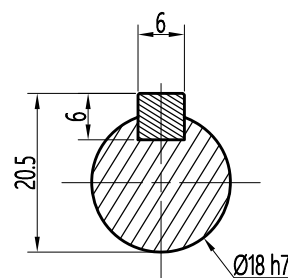
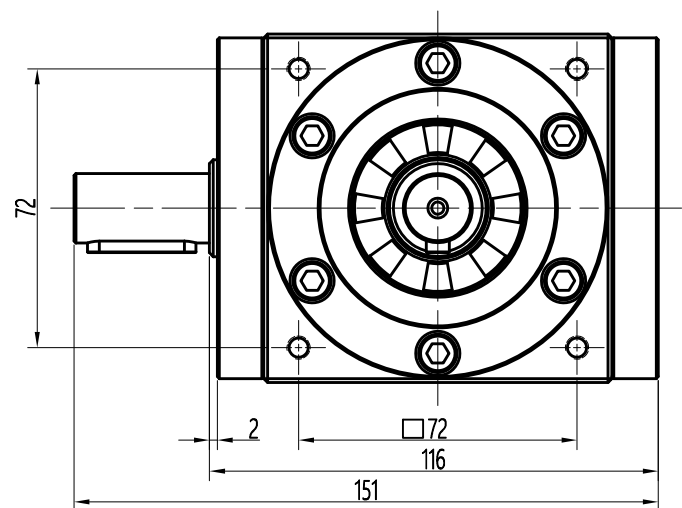


2

2

3

3



4

4

technical parameter						
Rated input speed	1500rpm	Max.input speed	2000rpm			
Max.radial force	1450N	Max.axial force	750N			
Maximum efficiency	≥96%	Operating temp	-25° ~ +90°			
Installation method	arbitrarily	Lubrication mode	Permanent lubrication			
Weight	6KG	Average life span	20000h			
Standard backlash	≤8arcmin	Noise	≤65 dB			
Speed ratio	1:1	2:1	3:1	4:1	5:1	
Rated output torque (Nm)	32	29	27	27	27	
Maximum output torque (Nm)	48	44	41	41	41	
Motor dimensions						
name :	90 cast iron Gearbox			000 «Е.М.Интех» www.em-intech.ru		
number :	SJV090(Two-shafts)					
unit:	mm					
Update Date:	01/2026					

A

B

C

D